



ARTI FLOOR

INSTALLATION

Timberland 4.5mm vinyl plank

Recommendations for the installation and maintenance of ArtiFloor vinyl planks for residential and commercial use.

PRE-INSTALLATION REQUIREMENTS

carefully examine the flooring prior to installation for colour, finish and quality. Ensure adequate light for thorough check. If flooring is not acceptable, please contact your retailer immediately and arrange for replacement. ArtiFloor is not responsible for flooring installed with visible defects.

SUBFLOOR PREPARATION

- Subfloors must be prepared in accordance with as1884. standard guidelines.
- The floor surface must be smooth, hard, clean, dry and structurally sound before installation. its humidity level must not exceed 3.5 %, and there must be no traces of paint, varnish, wax, oil, solvents or other foreign substances that could contaminate the floor covering.
- The ArtiFloor flooring must be stored in the room where it is to be laid for at least 48 hours beforehand, to allow it to adapt to a temperature between 18°C and 26°C.
- Flooring can be laid on the existing resilient timber based flooring such as timber, plywood or particleboard as long as damaged or loosen planks are either fixed or replaced, joins are lightly sanded, primed and skimmed. for installation on the existing ceramic tiles, ensure grout lines are filled.



ARTI FLOOR

MAINTENANCE GUIDE

Do not steam clean or use a steam mop on the floor.

FIRST USE

when the installation is completed, clean the surface of the floor covering with warm water to which a ph neutral detergent has been added. foot traffic and the installation of furniture are not permissible until 24 - 28 hours have lapsed from the time the installation was completed

REGULAR MAINTENANCE

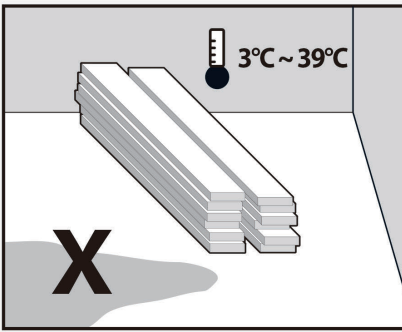
Daily cleaning: using soft dry broom or vacuum cleaner.

weekly cleaning: using ph neutral detergent in water with fringed mop or floor cloth.

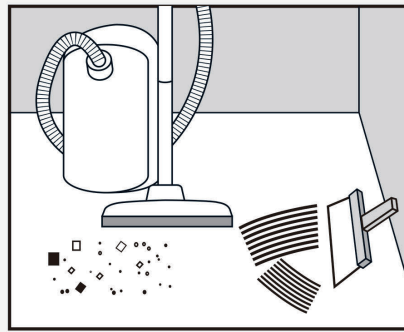
PERIODIC MAINTENANCE

For grained or textured surfaces, a manual or mechanical in-depth cleaning is recommended at suitable intervals, using a ph neutral detergent in water and a nylon brush. after brushing eliminate the dirty water using a floor scraper, rinse with clean water, remove the surface water and dry with a floor cloth.

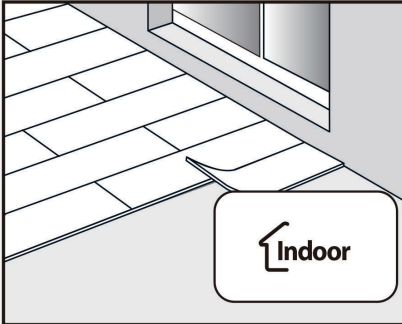
having tinted windows or window covers are highly recommended to protect flooring from direct sunlight. direct sunlight may cause fading.



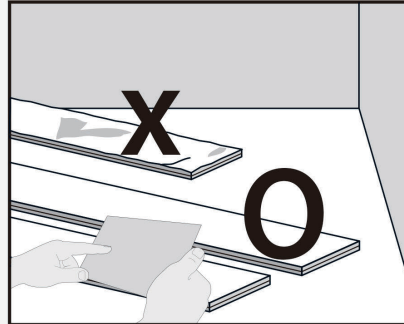
Cartons should be stored and transported on a flat surface in neat stacks, always store the cartons flat and never put them on-end. Do not store the cartons in very cold (less than 2 °C) or very warm (more than 40 °C) or humid places.



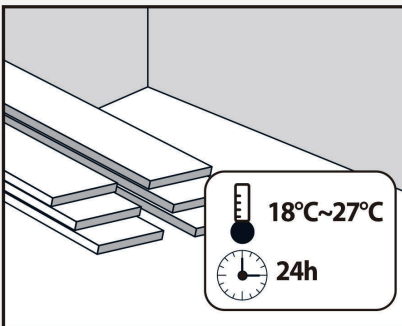
The subfloor must be hard, smooth, clean and dry, as well as being free from defects and fit for purpose. When required, scrape off and remove old adhesives and loose laying leveling compound. Make sure the subfloor is flat and free from chemical substances and other contamination.



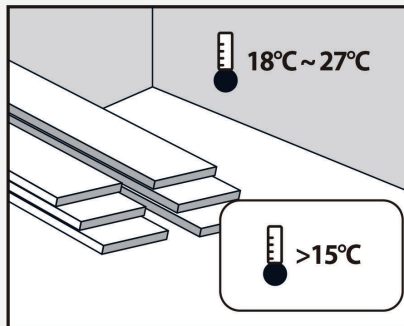
Product is only suitable for indoor installation.



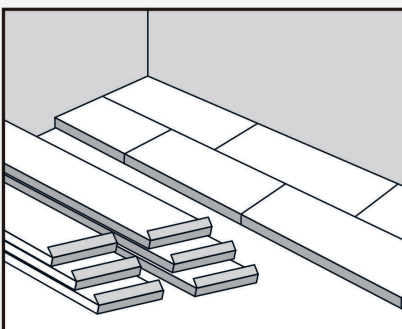
Please inspect product prior to installation. Check that the colors correspond to those ordered, the quantities are correct and there is no visible damage to the boxes. Check the vinyl planks or tiles during installation for any visible defects. Do not install any planks or tiles that display any imperfections.



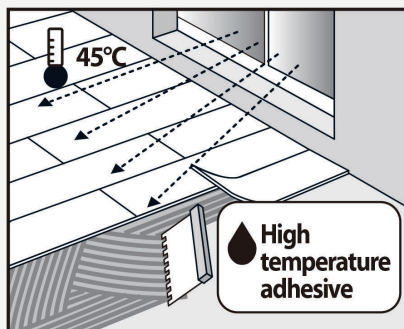
Product must acclimatize in the room of installation, or an equivalent area for at least 24 hours prior to installation, or until such time as the product has achieved an ambient temperature. Again, this is a minimum temperature of 18 °C and a maximum of 27 °C.



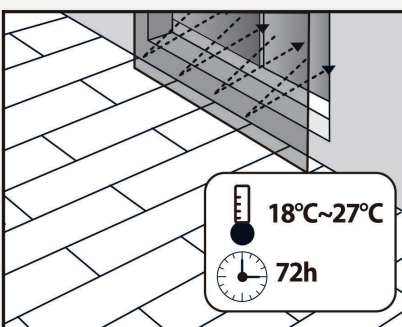
Product should be installed with a room temperature of between 18 °C and 27 °C and a floor temperature of above 15 °C.



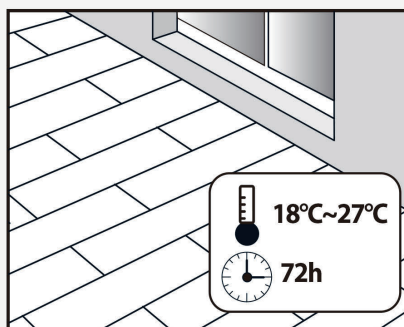
We recommend that you always use materials from a single production batch for each installation, as we cannot guarantee a shade match between different batches.



In areas that may be subject to excessive direct heat 45 °C or above (e.g. fully glazed sun facing conservatories) the floor must be installed with high temperature adhesive.



It would also be advisable to shade windows to avoid direct intense sunlight. This should help to provide a constant temperature during the acclimatization period the installation and 72 hours after the installation.



It is particularly necessary to keep the temperature in conservatories at a constant temperature between 18 °C and 27 °C prior to, during, and for 72 hours after installation.



OVERVIEW

When properly installed, 4.5mm LVT will not contract or expand beyond the tolerance. Unlike "floating" floors such as laminate, WPC, SPC, this LVT does not have a locking system. Our LVT does not need to float to accommodate dimensional changes based on seasons, thus it does not require the traditional perimeter expansion gaps seen with other flooring types. Instead, it should always be installed flush to the room's boundaries, tight against baseboards or wall edges, with each panel and tile closely fitted across the entire floor. In fact, our product has such exceptional dimensional stability that it doesn't necessarily need to be glued down.

PRODUCT INSPECTION

Please inspect product prior to installation. Check that the colors correspond to those ordered, the quantities are correct and there is no visible damage to the boxes. Check the vinyl planks or tiles during installation for any visible defects. Do not install any planks or tiles that display any imperfections. We recommend that you always use materials from a single production batch for each installation, as we cannot guarantee a shade match between different batches.

ACCLIMATION

For optimal installation results, it is recommended to allow our product to adjust to the ambient room temperature, ideally set between 18°C (64°F) and 27°C (80°F), for a duration of 24 to 48 hours at the installation site. The Relative Humidity should be maintained within a range of 35% to 55%, and the moisture content of the flooring should be between 6% and 10%. For more effective acclimatization, place the boxes individually on the floor or even remove the products from the boxes. It would also be advisable to shade windows to avoid direct intense sunlight. Should you opt to use an adhesive, please consult and follow the adhesive manufacturer's guidelines.

SUB-FLOOR PREPARATION

It's important to ensure the sub-floor is as level and smooth as possible before installing the planks. A thoroughly prepared sub-floor, free from any unevenness, cracks, and holes, will ensure the finest appearance of our product. Given the material's properties, our product can adapt to slight irregularities, making it more tolerant to minor surface flaws. However, for perfect sub-floor preparation, the following requirements are necessary:

- The sub-floor should be expertly fitted and built to avoid any vertical or horizontal shifts that could disrupt the placement of the planks and tiles.
- The sub-floor needs to be clean, without any dust, soil, or residues from previous sub-floor repairs or preparations.
- Use a floor leveling compound to fill any noticeable cracks and holes. Additionally, ceramic tiles will likely be grouted.
- For wooden bases, there should be at least 18 inches of clearance between the sub-floor and the ground, with all crawl spaces properly ventilated.
- The sub-floor must be completely dry. Our product should not be installed over areas with moisture signs, as it could lead to mold development under the flooring. The maximum moisture emission from newly poured and set concrete should not exceed 3lbs/1000 sq ft/24 hours, with a Relative Humidity of 75% - 80% (ASTM2170) and a pH range between 5 and 9.
- Wood-based sub-floors like plywood, OSB, or OFB, should have a moisture content of no more than 10% throughout before installation.
- Concrete that has been recently poured needs to cure for at least 28 days.
- We advise using an electronic moisture meter to accurately assess moisture levels in newly set concrete, ensuring the sub-floor is up to specification before laying the flooring, and a pin-type meter for wooden bases to achieve the same end.

PRE-INSTALLATION CONSIDERATIONS

- Product is only suitable for indoor installation.
- Expansion gaps around the room's borders or between planks are unnecessary.
- Do not install the product on unsuitable surfaces such as plywood that has been installed directly on concrete or plywood that is delaminating, pressboard, floating floors like SPC, WPC, or laminate, non-approved plywood, hardboard, screed systems, strip plank wood flooring, or surfaces contaminated with oil, chemicals, or mold.
- If installing over existing flooring, repair any damage to ensure a flat subsurface. Imperfections in the old flooring can show through over time.
- The finished appearance and ease of installation of the LVT tend to be better in more square-shaped installation spaces. Additionally, the direction of LVT installation can influence the visual outcomes.
- Equipment needed includes a broom and dustpan, vacuum cleaner, straight and square edge ruler, tape measure, razor knife or box cutter, trowel or paint roller with a long handle, and optionally, a small hand guillotine for efficient plank cutting.



INSTALLATION STEPS

- Prepare the floor by thoroughly cleaning it.
- The product can be installed against existing baseboards or perimeter walls.
- For commercial applications, use hard set adhesive.
Wait until it becomes tacky leaving no residue on hands before starting the installation.
- Begin laying planks or tiles from one corner, trimming as necessary to fit the space.
- Use cut-off pieces to stagger the pattern in new rows, ensuring no short pieces less than 6 inches start a row.
- Regularly review and adjust planks or tiles as needed due to the non-aggressive nature of the adhesive, ensuring all gaps remain tightly closed and each plank or tile is tightly aligned.
- To ensure full contact with adhesive, immediately press every plank or tile with a roller or rubbing block.
- Immediately roll each section with a 50kg(minimum) weight roller. Roll several times, in different direction, during the adhesive working time.
- It is particularly necessary to maintain a constant temperature between 18 °C and 27 °C at the installation site during, and for 72 hours after, installation.

ADHESIVE OPTIONS

Use your hard set adhesive product and carefully follow the manufacturer's instructions.

PERIMETER: Apply a pressure-sensitive adhesive to fix the outer edge planks or tiles in your room securely. The central planks or tiles don't need adhesive if they are snugly fitted and will stay in position. You only need to apply the adhesive within a 9"to 18" range from the room's edges.

FULL SPREAD: This is recommended for commercial installations; for residential settings, it's optional. Using hard set adhesive in high-traffic areas can be effective for replacing or repositioning damaged single planks. For 2.0mm, 2.5mm, and 3.0mm options, although they are dimensionally stable, the use of the full spread adhesive method should be determined based on the installation environment and future maintenance plans.

In areas that may be subject to excessive direct heat 45 °C or above (e.g. fully glazed sun facing conservatories) the floor must be installed with high temperature adhesive.

Applying a permanent bond adhesive could complicate or restrict future adjustments or replacements of planks or tiles. Moreover, the use of such an adhesive might invalidate the warranty for our LVT.

This document provides general guidance on LVT installation. Please note that installation methods may vary depending on local conditions, the specifics of the installation space, and the expertise of the professionals involved. It is advised to assess suitability based on these factors



**Easy to replace
repair in a matter of seconds.**